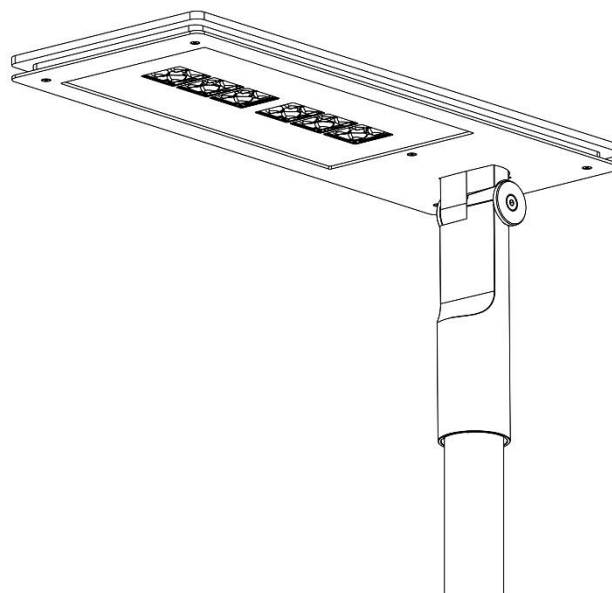


Technical Data Sheet

Plain I



Product description

Housing made from aluminum to maximize heat dissipation and service life. Durable powder coating (default color DB 703). Adjustable mounting bracket in its standard version fits 60 or 76 mm diameter poles. Angle adjustments also possible after the installation. Fasteners made from stainless steel. Replaceable LED module and advanced optics allow for flexible lighting configurations. Separate power supply unit fits inside the lighting pole for easy maintenance. ENEC certification.



Technical description

Mains voltage	230 V AC, 50 Hz
Connection	Power supply unit inside the pole
Connecting cable lengths	S = 6 m, M = 8 m, L = 10 m
Maximum pole height	S = 5 m, M = 9 m, L = 10 m
Electrical efficiency	Over 80 %
Protection class	SK II, SK I
Surge protection	3-6 kV
Protection rating	IP 67
Impact protection	IK 09
LED module cover	PMMA
Color rendering index	Over 70
Color temperature	3000 / 4000 / 5000 K
Lifetime (L80, B10)	Up to 100.000 h

Size	LEDs	mA	lm	W	kg
S	12	330	1.751	14	5,3
S	12	420	2.250	18	5,3
S	12	700	4.865	30	5,3
M	24	620	6.253	50	8,2
M	24	870	8.755	70	8,2
L	36	660	10.010	80	11,9
L	36	820	12.507	100	11,9

* Please note, that a dot (.) is used as the thousands separator and a comma (,) as the decimal separator throughout.

Dimensions

S		l 450 w 200 h 300 (23)*
M		l 650 w 250 h 300 (23)*
L		l 850 w 300 h 300 (23)*

Optics



Product code

The technical specifications of the luminaire are determined through the combination of 10 categories which result in a unique 16-digit product code.

Category	Value	Code	
Model	Plain I	PA1	
Size	S	1	
	M	2	
	L	3	
Power and lumens (size dependent)	S	14 W (1.751 lm)	014
		18 W (2.251 lm)	018
		30 W (3.752 lm)	030
	M	50 W (6.253 lm)	050
		70 W (8.755 lm)	070
	L	80 W (10.010 lm)	080
Dimming	Standard	0	
	1-10 V	1	
	0-10 V	2	
	50 %	3	
	AstroDim	4	
	Dali	5	
Optics	AA	AA	
	AB	AB	
	AC	AC	
	AD	AD	
	AX	AX	
Color temperature	3000 K	30	
	4000 K	40	
	5000 K	50	
Installation	Top	T	
Fi	60 mm	1	
	76 mm	2	
Housing color	DB 703	1	
	DB 701	9	
	RAL 7016	4	
	RAL 9005	7	
	RAL 9006	3	
Options	None	0	

Recommended configurations

Plain I S

Luminaire with a power consumption of 18 W that produces a luminous flux of 2.251 lm. Standard dimming, AA optics, color temperature of 4000 K and DB 703 housing color, to be mounted on a 60 mm diameter pole.

Code: PA110180AA40T110

Plain I M

Luminaire with a power consumption of 50 W that produces a luminous flux of 6.253 lm. Standard dimming, AA optics, color temperature of 4000 K and DB 703 housing color, to be mounted on a 60 mm diameter pole.

Code: PA120500AA40T110

Plain I L

Luminaire with a power consumption of 80 W that produces a luminous flux of 10.010 lm. Standard dimming, AA optics, color temperature of 4000 K and DB 703 housing color, to be mounted on a 60 mm diameter pole.

Code: PA130180AA40T110